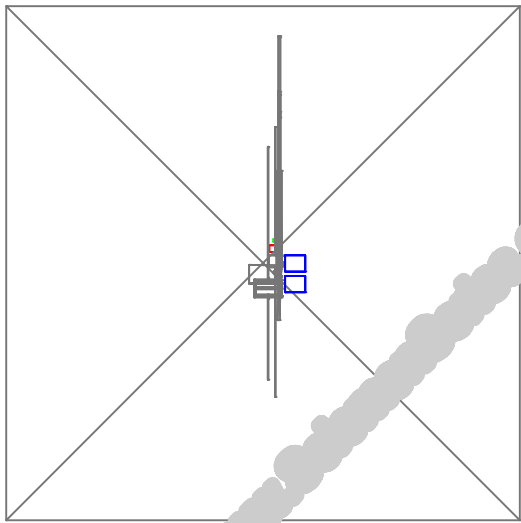
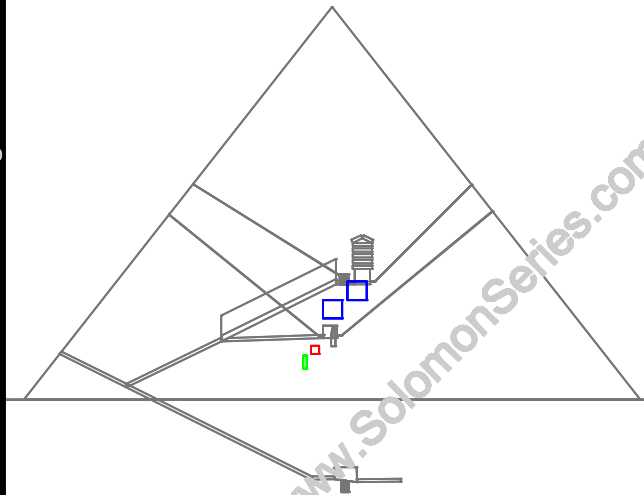


View From Above



A

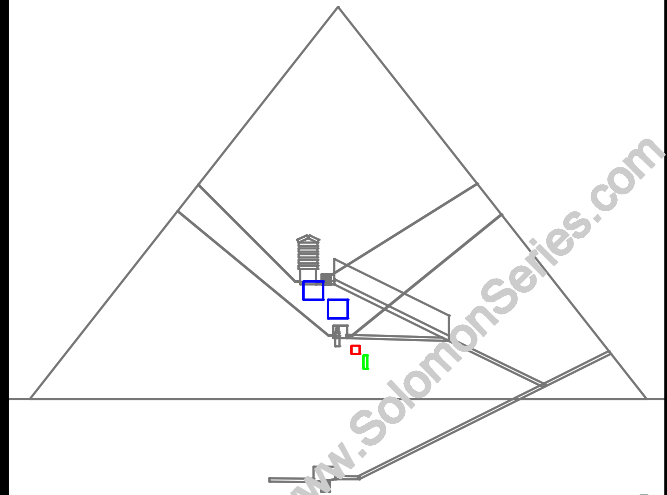
View From West



B

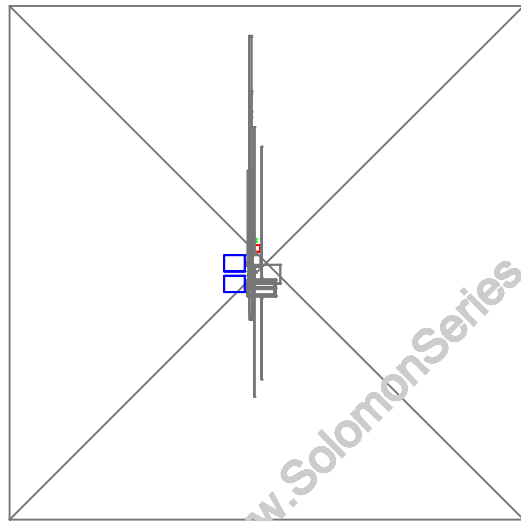
View From East

Copyright, Ted Whidden  
The Solomon Series: Great Pyramid Mystery Resolved



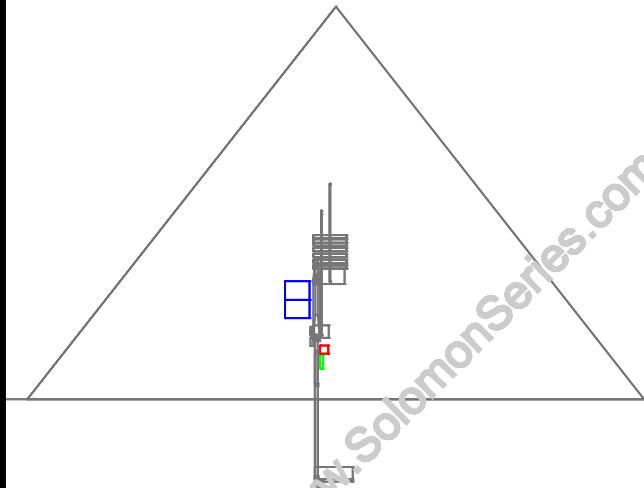
C

View From Below



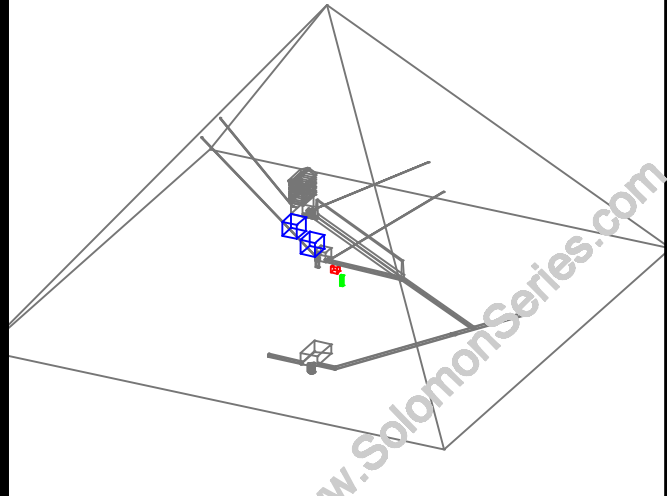
D

View From North



E

View From North East



F